

Blitz 250 300 350

The CESAB BLITZ 250 300 350 AC Technology, combines high manoeuvrability - even in confined spaces - with the advantages of the AC technology. The agility of this truck is enhanced by electronic control of all functions, making BLITZ a high performance fork lift for high productivity. The range comprises models from 2500 to 3500 Kg and lifting capacity up to 6800 mm.

AC Technology means exceptional performance levels, combined with reduced energy consumption. The CAN-BUS simplifies the electrical system by reducing wiring and increases the flexibility of the truck control system.

Various drive programmes can be selected by simply pressing the push-buttons on the steering column. The operator can choose between three different drive programmes: L (low) - H (high) and P (programmable) as well as an additional reduced speed setting.

The driver's module is fully suspended on silent blocks to minimize vibrations and maximize the operator's comfort.

High visibility and stability. The position of the uprights, which are widely spaced, guarantees excellent visibility and at the same time gives a rigid structure even at great height. Equipped with integrated sideshift as standard.

The steering wheel is fully adjustable in angle. The foldable release lever of the parking brake is located on the steering column beneath the steering wheel. The comfortable adjustable full suspension seat is equipped with inertia safety belt as standard.

The use of oil wet brakes not only ensures effective braking, but also allows a significant reduction in maintenance costs.

Four wheels electric counterbalanced trucks from 2500 to 3500 Kg

AC Technology. Excellent performance on loading ramps and responsive control of all functions

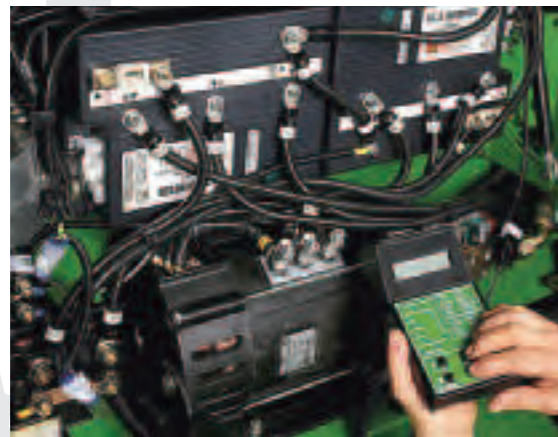
Narrow aisle width



The automobile-style dashboard has main function indicator lights plus warning signals for operating faults and major component wear.



The ergonomic cab features the highest standards in operator comfort, safety and ease of access. The proportional electronic controls integrated in the new (optional) armrest enable the operator to manage all the hydraulic functions by simply moving the Mini-Joystick or Fingertips levers.



Excellent access to electronic controller - located in a dust-proof housing - and motors. All functions are programmable and the diagnostics simple and easy.



The asynchronous drive motor with internal transmission shaft, oil immersed brakes, reduction gears and differential form a compact and solid single unit integrated with the front axle.

CESAB S.p.A. products, specifications and technical data are subject to change without notice.

Options

- Electronic Fingertips / Mini-Joystick controls fitted on the armrest.
- Foldable armrests.
- Pedal drive control.
- Complete cab with or without heating.
- Working lights.
- Twin wheels.

Cesab Ltd:

Unit 10, Regent Park, Booth Drive, Park Farm South, Wellingborough, Northamptonshire, NN8 6GR
Tel. +44 1 933 670 460 - Fax +44 1 933 679 854
e-mail: sales@cesab.net

Cesab Carrelli Elevatori Spa

Via Persicetana Vecchia, 10 - 40132 Bologna (Italy)
Tel. +39 051 20.54.11 - Fax +39 051 72.80.07
website: www.cesab-forklifts.com - e-mail: cesab@cesab.it

At Your Local Dealer

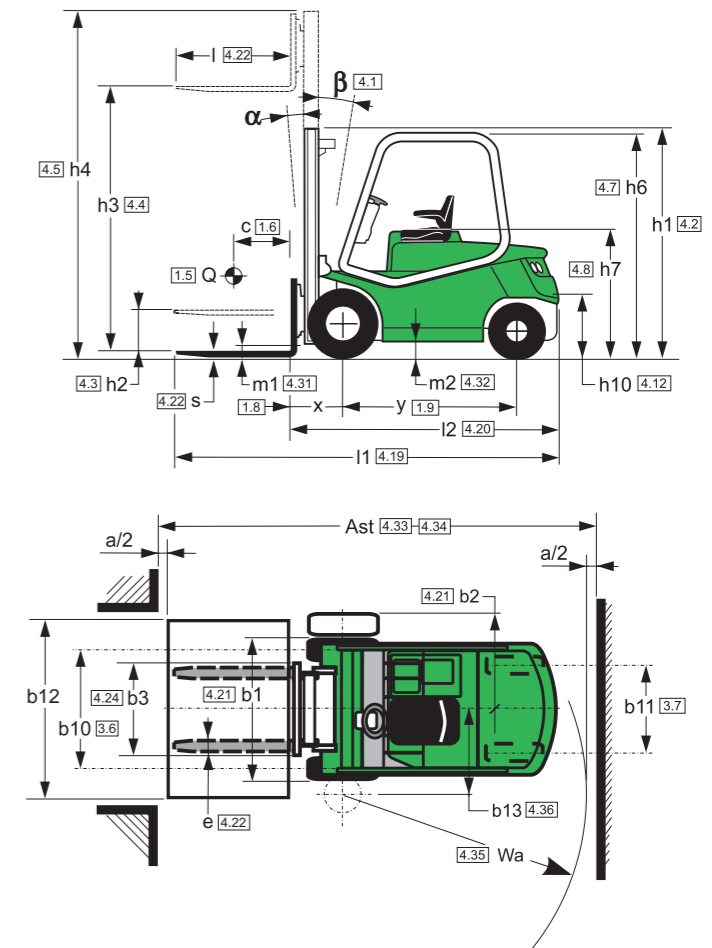


VDI 2198

Characteristics		CESAB	CESAB	CESAB	CESAB	CESAB
1.1	Manufacturer	CESAB	CESAB	CESAB	CESAB	CESAB
1.2	Model designation	BLITZ 250	BLITZ 300	BLITZ 300L	BLITZ 350 SE	BLITZ 350 C
1.3	Power unit: electric (battery), diesel, petrol, LPG	electric	electric	electric	electric	electric
1.4	Operation: manual, pedestrian, stand-on, driver seated	driver seated	driver seated	driver seated	driver seated	driver seated
1.5	Load capacity	2500	3000	3000	3300	3500
1.6	Load centre	500	500	500	500	500
1.8	Axle centre to fork face	x (mm)	430 (a)	435 (a)	435 (a)	448 (a)
1.9	Wheel-base	y (mm)	1555	1555	1699	1699
Weights						
2.1	Weight	kg	4770 (b)	5100 (b)	5150 (b)	5350 (b)
2.2	Axle load with load, front/rear	kg	6520 / 750 (b)	7300 / 800 (b)	7250 / 900 (b)	7650 / 1000 (b)
2.3	Axle load without load, front/rear	kg	2450 / 2320 (b)	2445 / 2655 (b)	2500 / 2650 (b)	2475 / 2875 (b)
Wheels and chassis						
3.1	Tyres: C=Cushion, SE=Superelastic, PN=Pneumatic, TW=Twin	C - SE - PN - SE.TW	C - SE - PN - SE.TW	C - SE - PN - SE.TW	SE - SE.TW	C
3.2	Tyre size, front	559x229-23x9-10-23x9-10-6.50-10	559x229-23x10-12-23x10-12-6.50-10	559x229-23x10-12-23x10-12-6.50-10	23x10-12-6.50-10	559x254
3.3	Tyre size, rear	457x152-18x7-8-18x7-8-NO	457x152-18x7-8-18x7-8-NO	457x152-18x7-8-18x7-8-NO	18x7-8-NO	457x152
3.5	Wheels, number front/rear (x = driven)	2x - 4x / 2	2x - 4x / 2	2x - 4x / 2	2x - 4x / 2	2x / 2
3.6	Track width, front	b10 (mm)	960 - 980 - 980 - 1152	960 - 942 - 942 - 1152	960 - 942 - 942 - 1152	942 - 1152
3.7	Track width, rear	b11 (mm)	940	940	940	940
Dimensions						
4.1	Mast tilt, forward/backward	α / β (degrees)	2°30' / 10°	2°30' / 10°	2°30' / 10°	2°30' / 10°
4.2	Height of mast, lowered	h1 (mm)	2252	2252	2252	2252
4.3	Free lift	h2 (mm)	100	100	100	100
4.4	Lift height	h3 (mm)	3160	3160	3160	3160
4.5	Height of mast, extended	h4 (mm)	3810	3833	3833	3838
4.7	Height of overhead guard	h6 (mm)	2145	2145	2190	2190
4.8	Height of driver's seat	h7 (mm)	1090	1090	1090	1090
4.12	Towing coupling height	h10 (mm)	327	327	327	327
4.19	Overall length	l1 (mm)	3265 (a)	3340 (a)	3415 (a)	3485 (a)
4.20	Length to fork face	l2 (mm)	2265 (a)	2340 (a)	2415 (a)	2485 (a)
4.21	Overall width	b1/b2 (mm)	1190 - 1190 - 1190 / 1530	1190 - 1190 - 1190 / 1530	1190 - 1190 - 1190 / 1530	1190 / 1530
4.22	Fork dimensions	s/e/l (mm)	40 x 120 x 1000	45 x 120 x 1000	45 x 120 x 1000	45 x 120 x 1000
4.23	Fork carriage to DIN 15173, class/form A, B		II A	III A	III A	III A
4.24	Width of fork carriage	b3 (mm)	1000	1100	1100	1100
4.31	Floor clearance, mast (with load)	m1 (mm)	140	140	140	140
4.32	Floor clearance, centre of wheel-base (with load)	m2 (mm)	122	122	122	122
4.33	Aisle width with pallets 1000 x 1200 across forks	Ast (mm)	3779	3840	3923	3980
4.34	Aisle width with pallets 800 x 1200 along forks	Ast (mm)	3979	4040	4123	4180
4.35	Turning radius	Wa (mm)	2149	2205	2288	2345
4.36	Minimum distance between the centres of rotation	b13 (mm)	-	-	-	-
Performance						
5.1	Travel speed, with/without load	km/h	17 / 17	17 / 17	17 / 17	17 / 17
5.2	Lifting speed, with/without load	m/s	0.34 / 0.50	0.32 / 0.50	0.32 / 0.50	0.31 / 0.50
5.3	Lowering speed, with/without load	m/s	< 0.60	< 0.60	< 0.60	< 0.60
5.5	Tractive force, with/without load	N	2000 / 3400	1840 / 2840	1810 / 2830	1810 / 2830
5.6	Maximum tractive force, with/without load, S2 5 minute rating	N	10922 / 11858	10793 / 11793	10773 / 11784	10773 / 11784
5.7	Climbing ability, with/without load, S2 30 minute rating	%	6 / 10	5 / 9	5 / 9	4.2 / 8
5.8	Maximum climbing ability, with/without load, S2 5 minute rating	%	17 / 28	14 / 24	14 / 24	12.4 / 21.7
5.9	Acceleration time, with/without load	s	-	-	-	-
5.10	Service brake: mechanical/hydraulic/electric/pneumatic		hydraulic	hydraulic	hydraulic	hydraulic
Electric motor						
6.1	Drive motor, S2 60 minute rating	kW	14	14	14	14
6.2	Lift motor, S3 15% rating	kW	14	14	20	20
6.3	Battery according to DIN 43531/35/36 A, B, C, NO		DIN 43536	DIN 43536	DIN 43536	DIN 43536
6.4	Battery voltage/rated capacity (5 h)	V/Ah	80 / 500 - 620	80 / 500 - 620	80 / 625 - 775	80 / 625 - 775
6.5	Battery weight	kg	1547	1547	1872	1872
6.6	Energy consumption in acc. with VDI-cycle	kWh/h	-	-	-	-
Others						
8.1	Type of drive control		AC MOSFET	AC MOSFET	AC MOSFET	AC MOSFET
8.2	Working pressure for attachments	bar	130	130	130	130
8.3	Oil flow for attachments	l/min	-	-	-	-
8.4	Noise level at driver's ear	dB (A)	-	-	-	-
8.5	Towing coupling, design/type DIN		-	-	-	-

(a) with sideshift = + 36 mm (b) with sideshift

NOTES: Unless otherwise specified, all data refer to vehicles with SE tyres. All performance figures refer to fully run-in vehicles, in perfect working order with homologated tyres mix, battery fully charged and excellent conditions with closed circuit voltage equal to nominal value. Truck performance and dimensions are nominal and subject to tolerances.



Masts specifications (2500 Kg)						
Mast, mm	Duplex				Duplex FFL	
h3	Lift height	3160	3660	4160	4960	2930 3160
h1	Height of mast, lowered	2252	2502	2752	3202	2132 2252
h2	Free lift	100	100	100	100	1437 1557
h4	Height of mast, extended	3805	4305	4805	5632	3625 3855
α / β	Mast tilt, forward/backward	2°30' / 10°			2°30' / 6°	
Masts specifications (2500 Kg)						
Mast, mm	Triplex				Triplex FFL	
h3	Lift height	4305	4965	5565	6765	4310 4460 4960 5560 6060
h1	Height of mast, lowered	2132	2352	2552	3052	2132 2182 2352 2552 2752
h2	Free lift	45	45	45	45	1437 1487 1657 1857 2057
h4	Height of mast, extended	4972	5632	6232	7532	5005 5155 5655 6255 6755
α / β	Mast tilt, forward/backward	2°30' / 6°			2°30' / 8°	
Masts specifications (3000 - 3500 Kg)						
Mast, mm	Duplex				Duplex FFL	
h3	Lift height	3160	3660	4160	4960	2930 3160
h1	Height of mast, lowered	2252	2502	2752	3202	2132 2252
h2	Free lift	100	100	100	100	1436 1556
h4	Height of mast, extended (*)	3833	4333	4833	5633	3626 3856
α / β	Mast tilt, forward/backward	2°30' / 10°			2°30' / 6°	
(*) BLITZ 350 with C Tyres: h4 + 5 mm						
Masts specifications (3000 - 3500 Kg)						
Mast, mm	Triplex				Triplex FFL	
h3	Lift height	4305	4965	5565	6765	4310 4460 4960 5560 6060
h1	Height of mast, lowered	2132	2352	2552	3052	2132 2182 2352 2552 2752
h2	Free lift	45	45	45	45	1436 1486 1656 1856 2056
h4	Height of mast, extended (*)	4978	5638	6238	7532	5006 5156 5656 6256 6756
α / β	Mast tilt, forward/backward	2°30' / 6°			2°30' / 8°	
(*) BLITZ 350 with C Tyres: h4 + 5 mm						